



# Stainless UV



**PRE-PLUMBED SYSTEM FIT**



## Stainless UV

### Everflo Stainless UV Pre-Plumbed System Fit

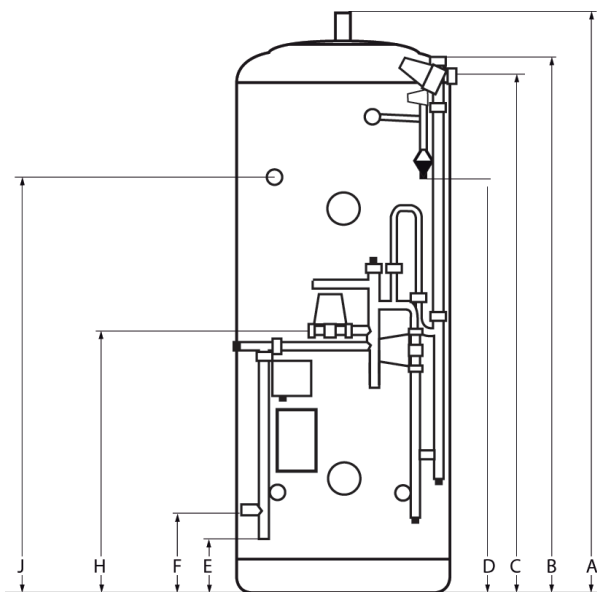
Everflo Pre-plumbed System Fit cylinders are designed specifically to reduce installation time by up to 70% and increase the quality and integrity of the installation - with no electrician needed on site.

Everflo System Fit units are factory assembled and both pre-plumbed and pre-wired with 230V central heating controls, 2 x two port valves, an automatic bypass and a balancing valve.

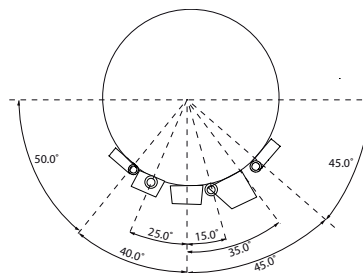
Designed to heat up quickly and to retain their heat for long periods, you can be assured of the most economical system choice for your home.

#### Features and benefits

- Fast and simple installation – on-site time reduced by up to 70%
- Plug-in electrical connection for all controls
- Range of capacities from 180 to 300 litres



CODE	CAPACITY (Litres)	HEIGHT	DIAMETER	WEIGHT (Kg-EMPTY)	WEIGHT (Kg-FULL)
EN180P5	180	1281	550	53	233
EN210P5	210	1469	550	58	268
EN250P5	250	1719	550	63	313
EN300P5	300	2032	550	68	368



CODE	A	B	C	D	E	F	H	J
EN180P5	1297	1258	1211	948	211	286	690	N/F
EN210P5	1485	1446	1399	1136	246	321	690	1150
EN250P5	1735	1696	1649	1386	246	321	690	1400
EN300P5	2048	2009	1962	1699	246	321	784	1600

All dimensions are in mm and are of the cased unit. N/F = Not Fitted.

#### Everflo Cylinders

Sales Enquiries: 0208 3123720 Technical Helpline: 0330 999 0035

E-mail: [sales@everflo-cylinders.co.uk](mailto:sales@everflo-cylinders.co.uk)

[www.everflo-cylinders.co.uk](http://www.everflo-cylinders.co.uk)